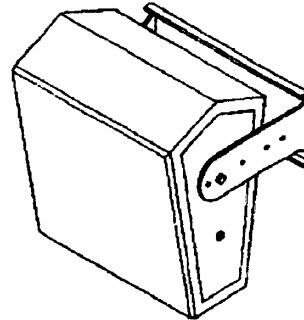
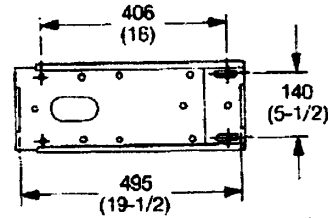
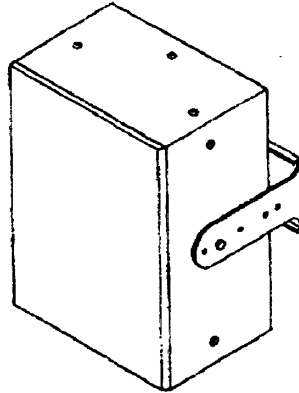
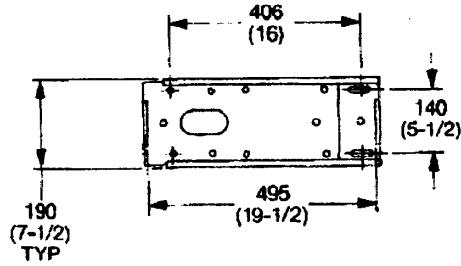
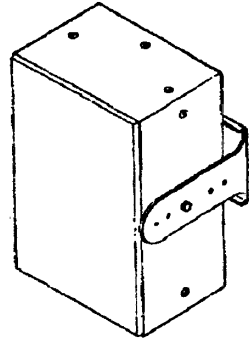
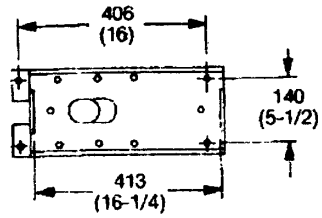
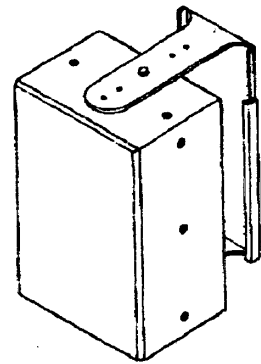
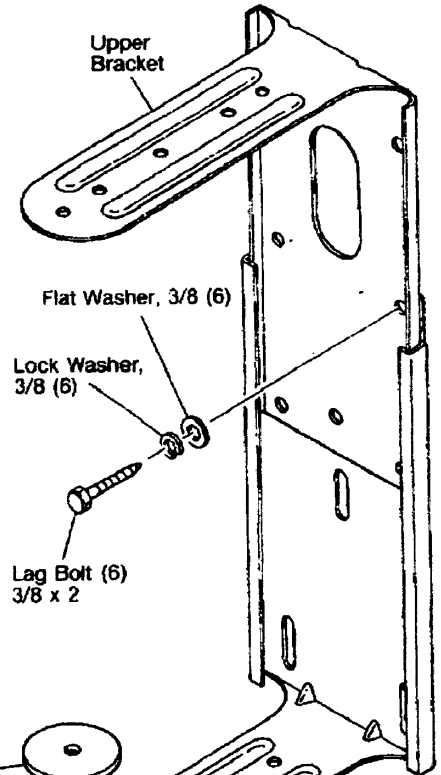


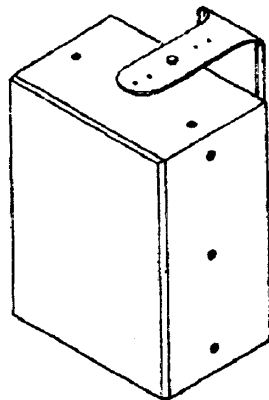
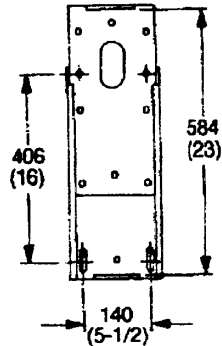
THESE DRAWINGS AND SPECIFICATIONS ARE THE PROPERTY OF JBL INCORPORATED. THEY ARE TO BE USED AS THE BASIS FOR MANUFACTURING ONLY WITHOUT WRITTEN PERMISSION.



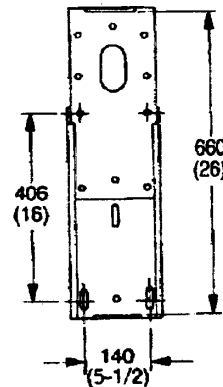
8300 SERIES  
(8340 Shown)



4652/4652-BK



4655/4655-BK



Friction Washer (2)

Bolt, Flat Washer and Locknut are from Loudspeaker Cabinet

<b>JBL</b>	<b>JBL INCORPORATED</b>
MODEL NO.	2503
DESCRIPTION	

CAUTION: